



**IPS-SIS
SIP Strobe
Supporting Voice Mailbox Message
Waiting Indication**



1601 Jack McKay Blvd. • Ennis, Texas 75119 U.S.A.
Telephone: 800.876.3333 • Fax: 800.765.3435

Description

The wall-mounted IPS-SIS SIP Strobe operates as a visual alerting device. The device can be set up as part of a ring group (call group) with the Strobe engaged as notification of incoming calls.

The IPS-SIS may also be activated by being part of a multicast group. When audio is detected on a specific Multicast address and port, the strobe will activate.

Through a web page setup, you can have the IPS-SIS respond to message waiting signals by blinking. When the message has been heard, the strobe stops blinking.

User selectable scenes for blink rate and brightness for each of the activation modes.

Users may also use AtlasIED's HTTP command set to directly access the strobe's functions.

Features

- 5 user blink scenes available
- User configurable brightness
- Meets ADA requirements for telephony signaling and notification
- Program or listen to up to 10 multicast addresses
- SIP activation
- Mailbox message waiting indication
- Multicast activation
- Cisco SRST support
- Event-controlled relay
- Tamper sensor
- Web-based setup
- PoE-powered

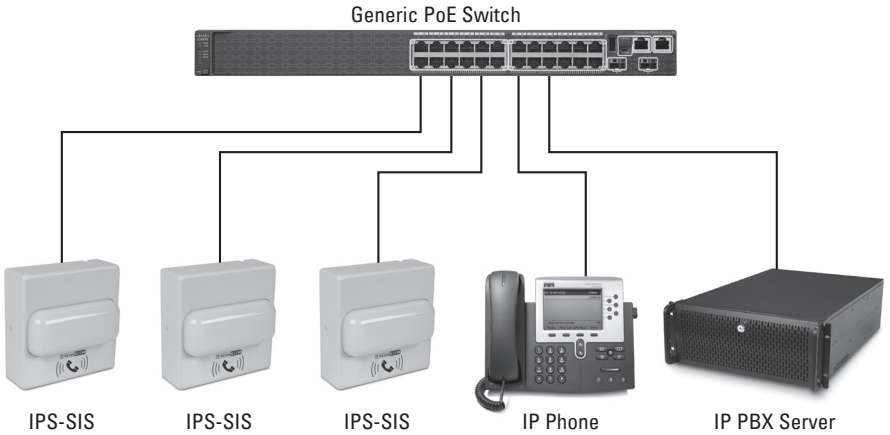
Applications

- Sales and support mailbox indication
- Classrooms
- Banks or financial institutions
- Court rooms
- Manufacturing warehouses
- Offices
- Indoor only

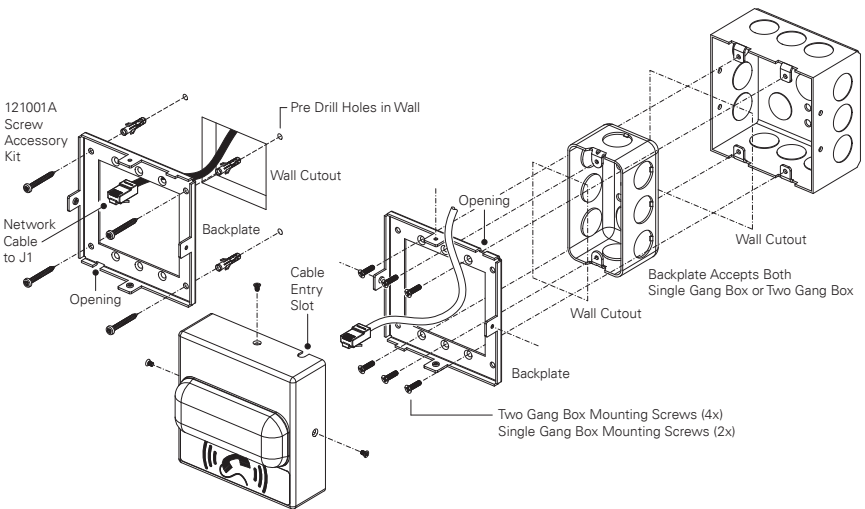


1601 Jack McKay Blvd. • Ennis, Texas 75119 U.S.A.
Telephone: 800.876.3333 • Fax: 800.765.3435

Typical Installation



Mounting Options



1601 Jack McKay Blvd. • Ennis, Texas 75119 U.S.A.
Telephone: 800.876.3333 • Fax: 800.765.3435

Specifications

Ethernet I/F Protocol	10/100 Mbps SIP RFC 3261 compatible
Power Input	PoE 802.3af compliant or +8 to +12VDC @ 1000mA regulated power supply
Light Power	Up to 90 candela (user-selectable)
Flash Rate	5 user-defined scenes
LED MTBF	100,000 hours
On-Board Relay	1A at 30 VDC
Operating Temperature	-10° C to 50° C (14° F to 122° F)
Payload Types	G711, A-law and μ -law
Regulatory Compliance	FCC Class A, UL 60950
Dimensions	4.5" x 2.1" x 4.5" (115mm x 55mm x 115mm)
Weight	1.0 lbs. (0.45 kg)
Boxed Weight	2.0 lbs. (0.90 kg)
Warranty	1 year limited

Hardware Bag Contains:

- (4) #6-32 x $\frac{3}{8}$ " Phillips Flat Head Screw
- (4) #6 x 1 $\frac{1}{4}$ " PH-PN SMS ZP
- (4) #6 Plastic Wall Anchor



1601 Jack McKay Blvd. • Ennis, Texas 75119 U.S.A.
Telephone: 800.876.3333 • Fax: 800.765.3435

Limited Warranty

All products manufactured by AtlasIED are warranted to the original dealer/installer, industrial or commercial purchaser to be free from defects in material and workmanship and to be in compliance with our published specifications, if any. This warranty shall extend from the date of purchase for a period of three years on all AtlasIED products, including SOUNDOLIER brand, INNOVATIVE ELECTRONIC DESIGNS brand, and AtlasIED brand products except as follows: one year on electronics and control systems; one year on replacement parts; and one year on Musician Series stands and related accessories. Additionally, fuses and lamps carry no warranty. AtlasIED will solely at its discretion, replace at no charge or repair free of charge defective parts or products when the product has been applied and used in accordance with our published operation and installation instructions. We will not be responsible for defects caused by improper storage, misuse (including failure to provide reasonable and necessary maintenance), accident, abnormal atmospheres, water immersion, lightning discharge, or malfunctions when products have been modified or operated in excess of rated power, altered, serviced or installed in other than a workman like manner. The original sales invoice should be retained as evidence of purchase under the terms of this warranty. All warranty returns must comply with our returns policy set forth below. When products returned to AtlasIED do not qualify for repair or replacement under our warranty, repairs may be performed at prevailing costs for material and labor unless there is included with the returned product(s) a written request for an estimate of repair costs before any nonwarranty work is performed. In the event of replacement or upon completion of repairs, return shipment will be made with the transportation charges collect.

EXCEPT TO THE EXTENT THAT APPLICABLE LAW PREVENTS THE LIMITATION OF CONSEQUENTIAL DAMAGES FOR PERSONAL INJURY, ATLASIED SHALL NOT BE LIABLE IN TORT OR CONTRACT FOR ANY DIRECT, CONSEQUENTIAL OR INCIDENTAL LOSS OR DAMAGE ARISING OUT OF THE INSTALLATION, USE OR INABILITY TO USE THE PRODUCTS. THE ABOVE WARRANTY IS IN LIEU OF ALL OTHER WARRANTIES INCLUDING BUT NOT LIMITED TO WARRANTIES OF MERCHANTABILITY AND FITNESS FOR A PARTICULAR PURPOSE.

AtlasIED does not assume, or does it authorize any other person to assume or extend on its behalf, any other warranty, obligation, or liability. This warranty gives you specific legal rights and you may have other rights which vary from state to state.

Service

Should your IPS-SIS require service, please contact the AtlasIED warranty department at 1-877-689-8055, ext. 277 or support.atlissound.com to obtain an RA number.

AtlasIED Tech Support can be reached at 1-800-876-3333 or support.atlasied.com.

Visit our website at www.AtlasIED.com to see other AtlasIED products.

©2016 Atlas Sound L.P. and Innovative Electronic Designs, LLC. All Rights Reserved. Atlas Sound is a trademark of Atlas Sound L.P. IED is a registered trademark of Innovative Electronic Designs, LLC. All other trademarks are the property of their respective owners. All specs are subject to change without notice. ATSO05371 RevB 4/16 P/N 493692



1601 Jack McKay Blvd. • Ennis, Texas 75119 U.S.A.
Telephone: 800.876.3333 • Fax: 800.765.3435